

42RH/RE

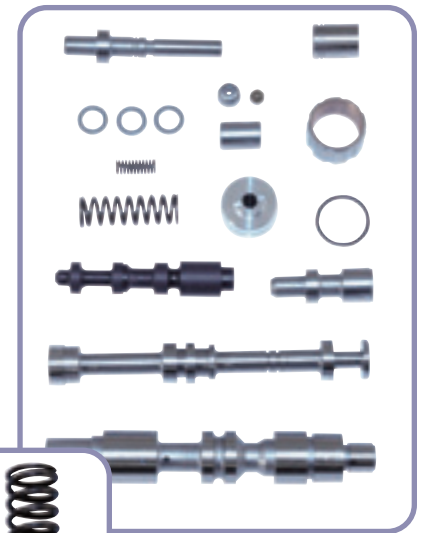
Part No. SC-42RHE

#SURE
#CURE

FROM

sonnax

Sonnax Sure Cure® Kits combine "the best" Sonnax products into one box, offering rebuilders a convenient and cost-effective way to address common transmission problems. These kits simplify ordering, stocking and estimating job costs, and include easy-to-read, step-by-step instructions that cover the inspection and repair of the most critical areas of the unit, and even a reference list of rebuilding specifications.



This 42RH/RE transmission reconditioning kit includes the following Sonnax parts and addresses these problems:

Sonnax Part

The SureCure® for:

- | | |
|---|---|
| • Lube regulated pressure regulator valve (22771A-02K) Patent Pending | Addresses converter drainback, lube failure, delayed engagement, PR valve buzz. Highlights: Internal check valve immediately charges converter in park and reduces converter drainback |
| • Line pressure plug & sleeve kit (22229-01K) | Slippage in reverse, poor forward and reverse engagement |
| • Manual valve (22771-09) Patent Pending | Delayed engagement and converter bushing failure. Highlights: Improved design helps charge converter and allow cooler flow in park |
| • Throttle valve kit (22771-03K) | Shift timing concerns, throttle valve buzz |
| • 4-spooled switch valve (22771A-01) | Lockup shudder, overheated converters, reduced cooler flow. Highlights: Redesigned valve corrects circuit timing and better lube to apply and release circuits |
| • Shaft end plugs (22171A-02K) | Improves lube flow |
| • Turbine shaft and 3-4 accumulator seals | TCC failure and 3-4 burnup |
| • Endplay shims (12870-Z) | Excessive endplay due to driveline wear |
| • 4th accumulator spring (12861-01) | Sluggish shifts and broken OEM springs |
| • Shift linkage E-clip (10000-03K) | Provides replacement for broken or missing OEM E-clips |
| • Imidized plastic check ball (10000-13) | Provides replacement for OEM steel check ball |
| • Overdrive shaft bushing (12510-01) | Loss of lube pressure |