

## COMPLAINT

Some worn valve and pump bodies cannot be salvaged

## CAUSE

Due to the complexity of some valve or pump bodies, existing reaming processes can't be used to repair worn components.

## CORRECTION

The Sonnax valve body reaming fixture allows for consistent reaming results, ease of use and access to bores previously unserviceable with standard bench style tool kits.

## Valve Body Reaming Fixture

### VB-FIX

- 1 Base Plate
- 1 Clamp Mounting Plate
- 1 Clamp Plate
- 2 Outer Races
- 1 Inner Race
- 3 Studs
- 3 Washers
- 3 Wing Nuts
- 4 Socket Cap Screws

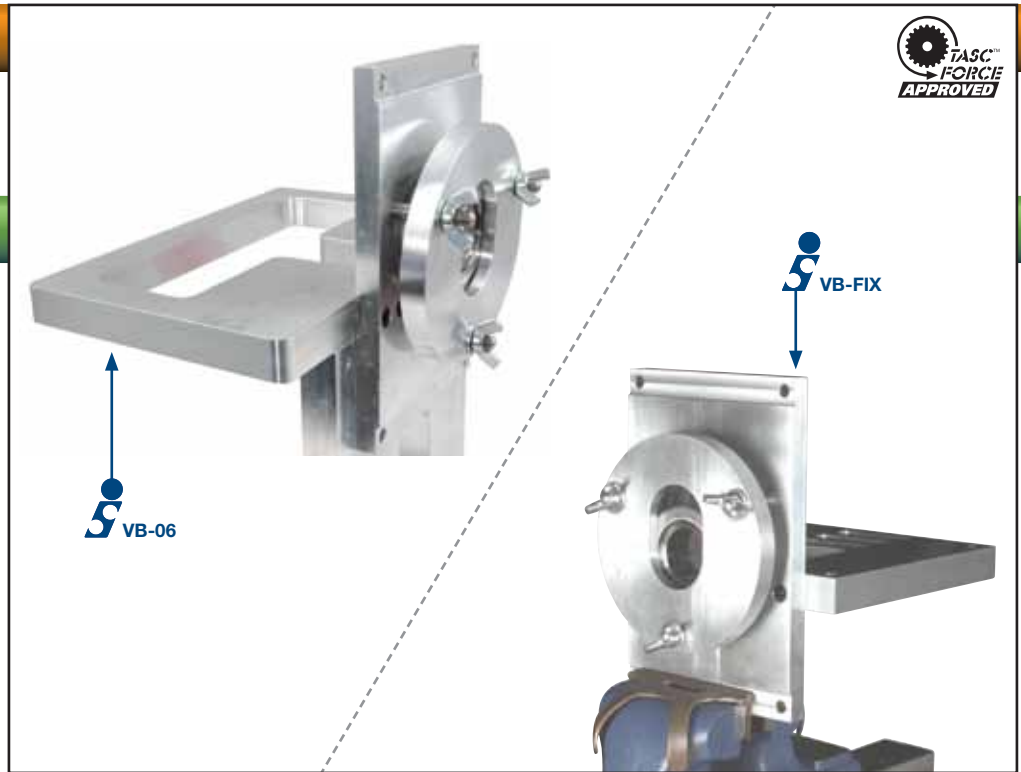
Patent No. 7,220,085

## Oversized Pump Base Plate

### VB-06

- 1 Oversized Pump Base Plate

Special tool kits have been designed to service a specific bore and were created to be used in conjunction with the Valve Body Reaming Fixture. Part numbers for these specially designed kits begin with an F-, to distinguish them from traditional Sonnax special tools that can be used as stand-alone tools.



### Sonnax Part Summary

In certain applications there is no way to pilot a reamer to repair a worn valve body, forcing rebuilders to purchase new ones. This patented self-aligning fixture with specially designed tool kits allows these valve bodies to be repaired. The fixture provides an external rigid pilot bore for the reamer and guide pin. The self-aligning feature allows the fixture to be used on multiple valve bodies and valve bores. The fixture base is large enough to provide ample support for the valve body.

Various transmissions locate some valve bores in the pump body rather than the valve body. These larger pump bodies do not readily fit onto the standard VB-FIX base plate. Sonnax offers an oversized pump base plate, VB-06, that allows large passenger vehicle pump bodies to be easily mounted and clamped to the VB-FIX for repair.

### Features & Benefits

- Patented, unique self-aligning device produces consistent, reliable results and eliminates the potential for reaming failures.
- Oversized pump base plate allows repair of larger pump bodies.
- Oversized pump base plate uses standard base plate mount.