

GM

# 5L40-E, 5L50-E

# sonnax®

TIME TESTED • INDUSTRY TRUSTED®

1 Automatic Drive • P.O. Box 440 • Bellows Falls, VT 05101-0440 USA  
(800) 843-2600 • (802) 463-9722 • F: (802) 463-4059 • www.sonnax.com

Click on Sonnax part numbers to see more information.

## 1 55211-04K TCC Regulator Valve Kit

For OE valves with .437" dia. balance spool only.

Helps cure:

- No Lockup/TCC slip
- Harsh/Soft TCC Apply/No Reverse

Note: Requires tool kit F-55211-TL4 & the VB-FIX reaming fixture.



## 2 55211-24K TCC Regulator Valve Kit

For OE valves with .476" dia. balance spool only.

Helps cure:

- No Lockup/TCC slip
- Harsh/Soft TCC Apply/No Reverse

Note: Requires tool kit F-55211-TL22, & the VB-FIX reaming fixture



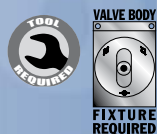
## 3 55211-22K Oversized TCC Control & Enable Valve Kit

For dual valve pumps

Helps cure:

- Incorrect TCC apply & release
- No lockup/falling out of lockup hot

Note: Requires tool kit F-55211-TL22, & the VB-FIX reaming fixture.

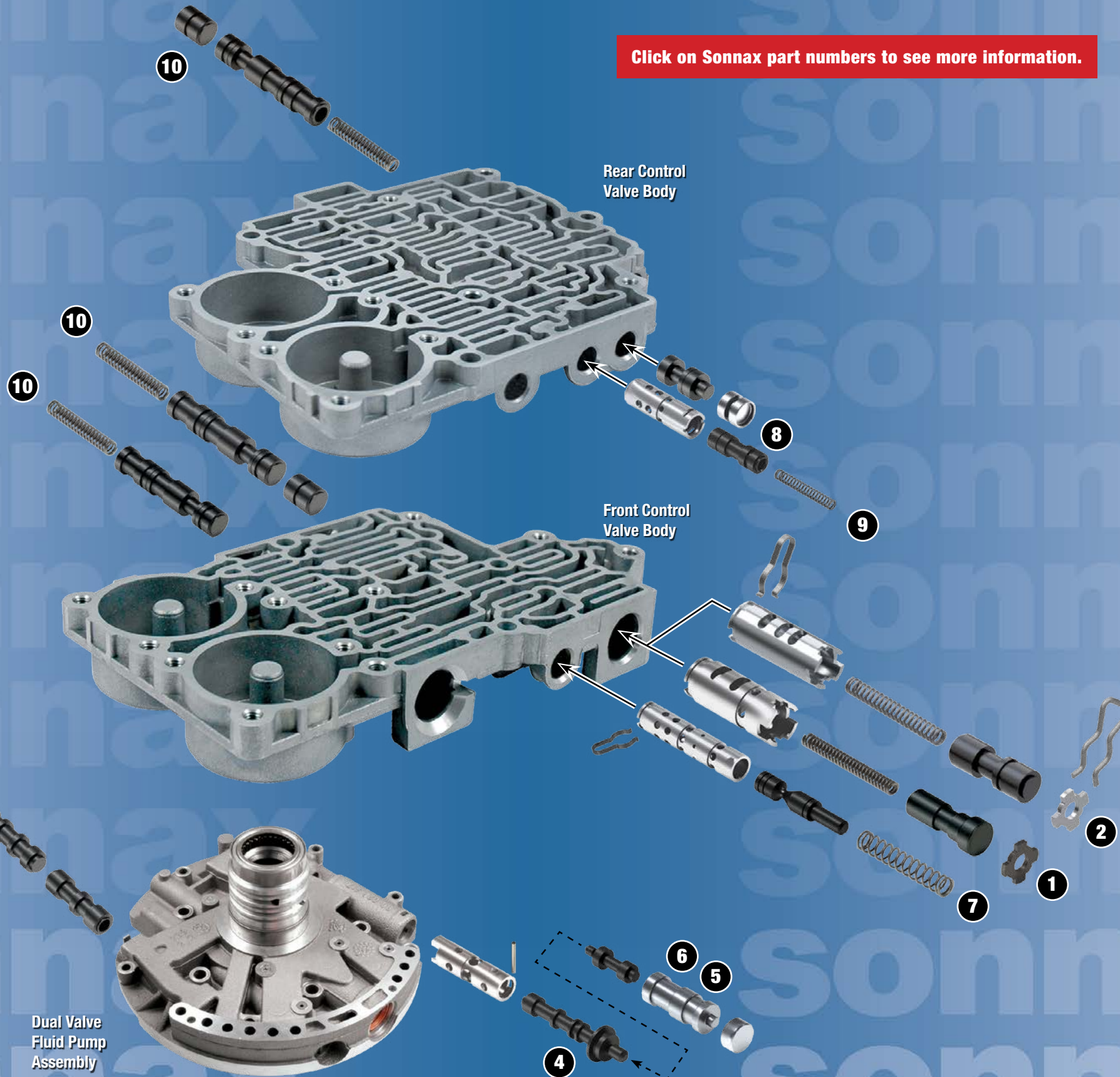


## 4 55211-08K Pressure Regulator Valve Kit

Helps cure:

- Low line pressure
- Worn PR valve bore

Note: Requires tool kit 55211-TL8.



## 5 55209-01K Boost Valve Kit

Valve spool diameters .531" & .492"

Helps cure:

- Insufficient line rise/high reverse pressure
- Flare upshifts

## 6 55209-04K Boost Valve Kit

Valve spool diameters .474" & .441"

Helps cure:

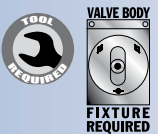
- Insufficient line rise/high reverse pressure
- Flare upshifts

## 7 55211-01K AFL Valve Kit

Helps cure:

- Reduced line pressure
- Gear ratio slip codes

Note: Requires tool kit F-55211-TL & the VB-FIX reaming fixture.

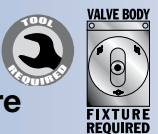


## 8 55211-17K Oversized Low Pressure Control Valve Kit

Helps cure:

- 3-2-1 Bump on coast downshifts
- Harsh/No engine braking in 1st, 2nd or 3rd

Note: Requires tool kit F-55211-TL17 & the VB-FIX reaming fixture.



## 9 55211-11K Reverse Lockout Valve Kit

Helps cure:

- Loss of reverse
- TCC overheat

Note: Requires tool kit F-55211-TL & the VB-FIX reaming fixture.



## 10 55211-14K Oversized 3-4, 4-5 Safety Mode Valve Kit

Fits any of 3 locations

Helps cure:

- 1-2 Bind-up, 3-4 Shift flare
- 4-5 Shift complaints, Clutch distress

Note: Requires tool kit F-55211-TL14 & the VB-FIX reaming fixture.

