

Honda/Acura 4/5 Speed*

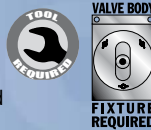
*These solutions fit various Honda 4/5 speed models. Honda BVGA valve body is shown here. Verify applications online at www.sonnax.com.

sonnax®

TIME TESTED • INDUSTRY TRUSTED®

1 Automatic Drive • P.O. Box 440 • Bellows Falls, VT 05101-0440 USA
(800) 843-2600 • (802) 463-9722 • F: (802) 463-4059 • www.sonnax.com

1 98892-04K 98892-13K Oversized



Converter Charge Regulated Pressure Regulator Valve Kits

Helps cure:

- Overheated converters
- Code P0740

Note: Oversized 98892-13K requires tool kit F-98892-TL13 & the VB-FIX reaming fixture.

2 98892-06K 4 Speed 98892-10K 5 Speed 98892-29K

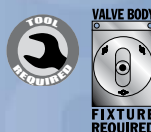
TC Check Valve Kits

Helps cure:

- Overheated converters
- TCC codes
- Poor cooler flow

3 98892-17K 4-Speed 98892-27K 5-Speed

Oversized Lockup Control Valve Kits



Helps cure:

- TCC slip code P0740
- Low cooler flow
- TCC apply pressure in full lockup

Note: 98892-17K requires tool kit F-98892-TL17, 98892-27K requires tool kit F-98892-TL27 & they both require the VB-FIX reaming fixture.

4 98892-22K 3-Spool 98892-24K 2-Spool

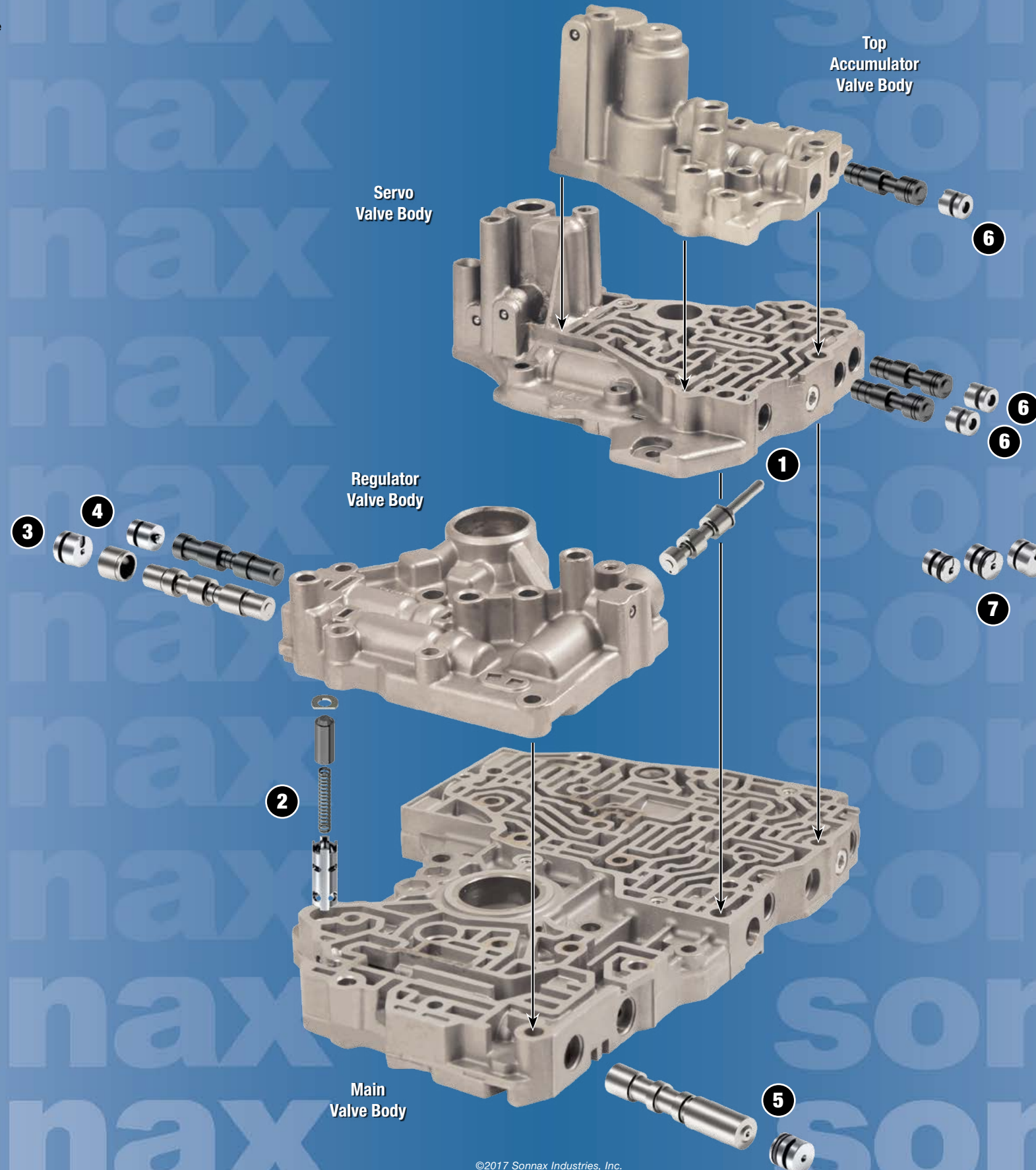


Oversized Lockup Timing Valve Kits

Helps cure:

- Overheated converters
- TC lining failure
- Code P0740

Note: 98892-22K & 98892-24K both require tool kit F-98892-TL22 & the VB-FIX reaming fixture.



5 98892-16K 5 Speed

Lockup Shift Valve Kit

Helps cure:

- Overheated converters
- TCC slip code 740
- Gear/Clutch overheat



6 98892-23K Oversized CPC Valve Kit

Fits several locations

Helps cure:

- Flare/Bumpy on up/downshift
- Harsh Reverse engagement
- TCC slippage or cycling RPM

Note: Requires tool kit F-98892-TL23 & the VB-FIX reaming fixture.

7 98892-01K O-Ringed, various sizes

98892-01 O-Ringed, 12mm

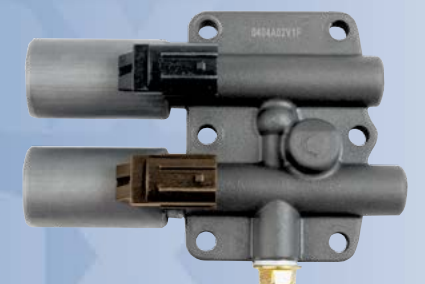
98892-02 O-Ringed, 14mm

98892-03 Non-O-Ringed, 15mm, Slight interference fit

End Plug Kits Fits several locations

Helps cure:

- Soft & inconsistent shift feel
- Low CPC pressure
- Various symptoms depending on wear



Also Available **98990-A**

Remanufactured Honda/Acura Solenoid Block with Dual Linear Solenoids