

# Aisin AW TR-60SN\*

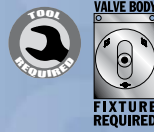
\*Also fits VW/Audi 09D

# sonnax®

TIME TESTED • INDUSTRY TRUSTED®

1 Automatic Drive • P.O. Box 440 • Bellows Falls, VT 05101-0440 USA  
(800) 843-2600 • (802) 463-9722 • F: (802) 463-4059 • www.sonnax.com

## 1 25741-29K Lockup Clutch Control Valve Kit



*Helps cure:*

- Overheated fluid
- RPM surge on coast
- Harsh downshifts
- TCC apply & release concerns

**Note:** Requires tool kit F-25741-TL29 & the VB-FIX reaming fixture.

## 2 25741-34K Lockup Clutch Control Plunger Valve Kit

*Helps cure:*

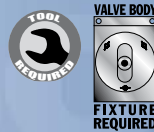
- TCC apply & release concerns
- RPM surge on coast
- RPM surge on light acceleration
- TCC codes

## 3 25741-36K Secondary Pressure Regulator Boost Valve Kit

*Helps cure:*

- TCC slip
- TCC surge
- Bushing wear

## 4 25741-01K Oversized Pressure Regulator Valve Kit

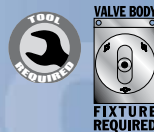


*Helps cure:*

- Bushing failure
- Overheated fluid & TCC lining
- High line pressure in Reverse

**Note:** Requires tool kit F-25741-TL & the VB-FIX reaming fixture.

## 5 25741-11K Secondary Pressure Regulator Valve Kit

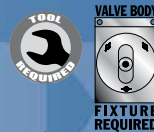


*Helps cure:*

- Overheated fluid, bushings & converter
- Harsh Reverse
- Poor shift quality

**Note:** Requires tool kit F-25741-TL11 & the VB-FIX reaming fixture.

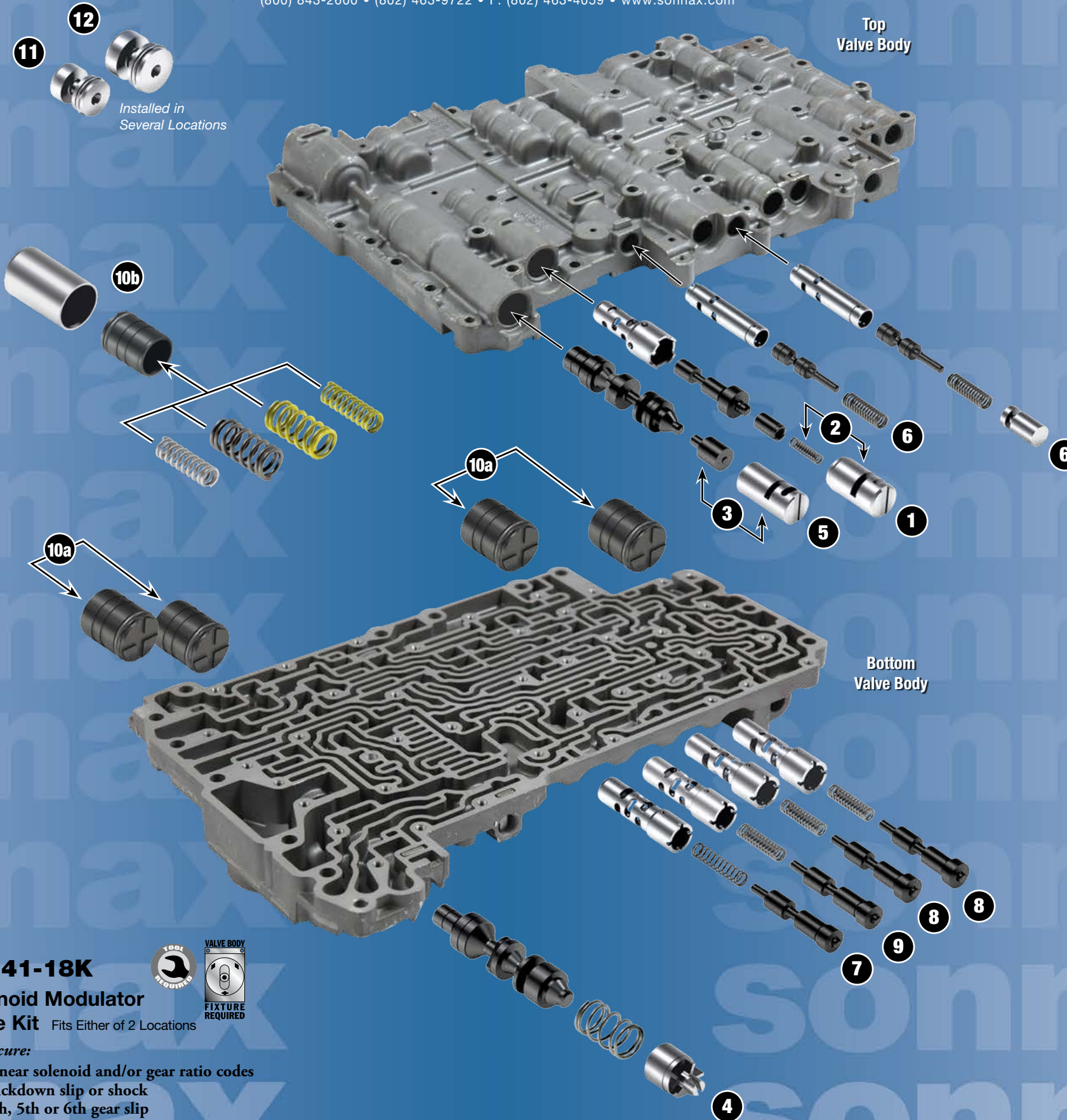
## 6 25741-18K Solenoid Modulator Valve Kit



*Helps cure:*

- Linear solenoid and/or gear ratio codes
- Kickdown slip or shock
- 4th, 5th or 6th gear slip

**Note:** Requires tool kit F-25741-TL18 & the VB-FIX reaming fixture.



Top Valve Body

Bottom Valve Body

## 7 25741-25K K1 Clutch Control Valve Kit



*Helps cure:*

- Flare upshifts
- Downshift bind-ups
- Excess clutch overlap & clutch distress

**Note:** Requires tool kit F-25741-TL25 & the VB-FIX reaming fixture.

## 8 25741-05K K2 Clutch/B1 Brake Control Valve Kit



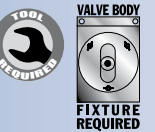
Fits Either of 2 Locations

*Helps cure:*

- Flare shifts
- Harsh downshifts
- Brake distress

**Note:** Requires tool kit F-25741-TL5 & the VB-FIX reaming fixture.

## 9 25741-08K K3 Clutch Control Valve Kit



*Helps cure:*

- Flare upshifts
- Downshift bind-ups
- Excess clutch overlap & clutch distress

**Note:** Requires tool kit F-25741-TL8 & the VB-FIX reaming fixture.

## 10a 15741-14K Accumulator Piston Kit

Fits Either of 4 Locations

*Helps cure:*

- Delayed engagements
- Slipping forward gears
- Burnt bands/clutches

## 10b 39741-42K Accumulator Piston Kit

Fits Either of 4 Locations

*Helps cure:*

- Severe wear at accumulator bore
- Loss of clutches and/or TCC/EPC oil pressure

## 11 15741-35K O-Ringed End Plug Kits

5 Small, 9mm

## 12 15741-36K O-Ringed End Plug Kits

5 Large, 11mm

*Helps cure:*

- Various shift complaints

**Note:** These kits fit multiple locations.