



Product Highlight... Product Highlight...



AW55-50 Valve Body

What is the valve body called?

The transaxle is manufactured by Aisin Warner but is used by many car makers. Volvo calls it an **AW55-50**, Nissan & Infiniti call it an **RE5F22A**, GM (Chevy, Saab, Saturn & Pontiac) call it an **AF33-5**.

What do we do to our AW55-50 Valve Bodies?

Install updates including an oversized pressure regulator valve, boost valve and sleeve; solenoid relay valve & sleeve; B-4 release valve, spring & end plug; solenoid modulator valve & end plug; shift pressure control plunger & sleeve; secondary regulator valve & spring; lock up relay control valve & sleeve; lock up control valve; lock up control sleeve & plunger. We seal leaking end plugs, flat sand entire valve body to eliminate cross leaks & install new gaskets. We vacuum test known wear areas that don't have current fixes to weed out worn valve bodies. The shift solenoids are flushed & tested. The linear solenoids are rebuilt, tested & adjusted. The complete valve body is tested with solenoids prior to shipping.

What if the transmission has shift concerns?

Each manufacturer has their own shift adapt relearn procedures & they are posted on our website. Our product support department is ready and available to help.

How do I identify the valve body?

Look for a letter that is cast into the valve body to the right of the S4 solenoid hold down bolt.

"No Letter/Blank Space" & valve bodies cast with a letter **"A"** are considered **early**.

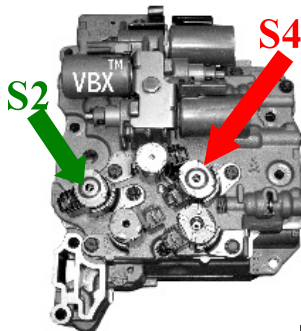
Valve bodies cast with a letter **"B"** or **"C"** are considered **late**.

Nissan, Infiniti & Volvo use one shift solenoid configuration.. Others use a different configuration.

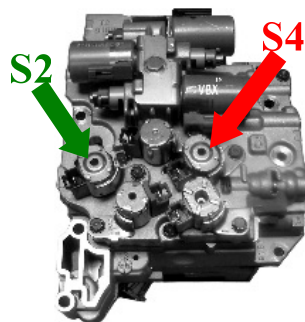
If vehicle type is not known, ask customer to describe the S2 solenoid. A domed top on the S2 is a GM.

A flat top with four ribs radiating from the hole in the center of the S2 is a Nissan/Volvo.

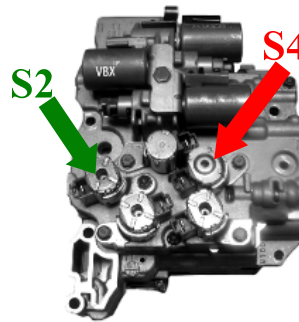
GM Early "A" Version



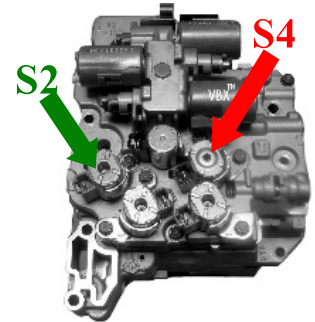
GM Late "B" Version



Volvo Early "No Letter" Version



Volvo/Nissan Late "B" Version



VBX #	Casting	Vehicle Type
AW55GE	None or A	Early GM/Saab/Saturn
AW55GL	B or C	Late GM/Saab/Saturn
AW55GMLSP	B or C	Late GM/Saab/Saturn 2005 & Up WITH B5 Spring
AW55VE	None or A	Early Volvo
AW55VL	B or C	Late Volvo/2004 Nissan
AW55NL	B or C	Late Nissan - 2005 & Up