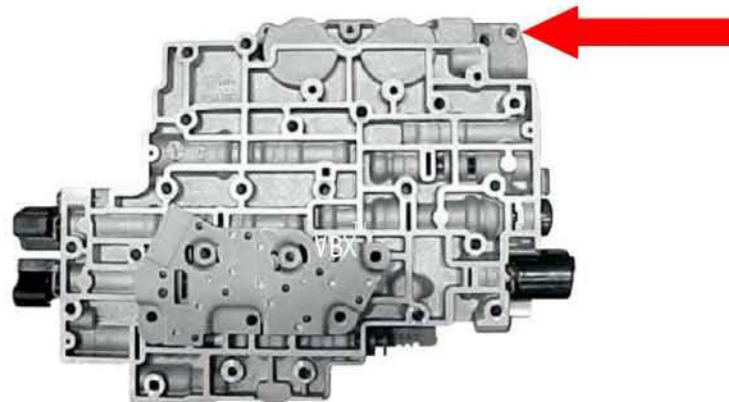




4L80E (1991 - 1996)



To identify a 4L80E Valve Body from years 1991-1996, look for two small holes on the upper right side of the Valve Body (see **RED ARROW**). The holes do not appear on the Valve Body from for model years 1997 & Up.

PLEASE NOTE:

Some early models of this Valve Body have a screw in temperature sensor, as opposed to the temperature sensor being in the wiring harness.

The location of the temperature sensor makes a difference!

When ordering, please choose the correct part number as shown below.

1-866-2GET-VBX

(1-866-243-8829)

www.valvebodyxpress.com

4L80E (With Screw in Temp Sensor) - **VBX** Part # GM026

4L80E (1992-1996) - **VBX** Part # GM027

"We Build Them So You Don't Have To."TM