

Ford 5R55W/S

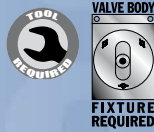
sonnax®

TIME TESTED • INDUSTRY TRUSTED®

1 Automatic Drive • P.O. Box 440 • Bellows Falls, VT 05101-0440 USA
(800) 843-2600 • (802) 463-9722 • F: (802) 463-4059 • www.sonnax.com

Click on Sonnax part numbers to see more information.

1 56947J-05K*
Oversized TCC Control Valve Kit

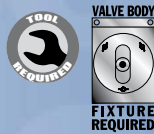


Helps cure:

- Excess TCC slip
- Code 741

Note: Requires tool kit **F-56947J-TL2** & the **VB-FIX** reaming fixture.

2 56947J-15K*
TCC Modulator Valve Kit



Helps cure:

- Excess TCC slip
- Codes 741 & 1783

Note: Requires tool kit **F-56947J-TL15** & the **VB-FIX** reaming fixture.

3 56947J-03K
56947J-01K
TCC Modulator Plunger Valve Kit

Increased Ratio
OE Ratio

Helps cure:

- High TCC slip RPM at increasing load
- Slip codes

4 56947J-09K
Pressure Regulator Sleeve Kit

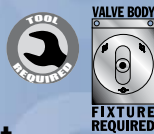


Helps cure:

- Delayed engagements
- High line pressure in reverse

Note: Requires tool kit **56947J-TL9**.

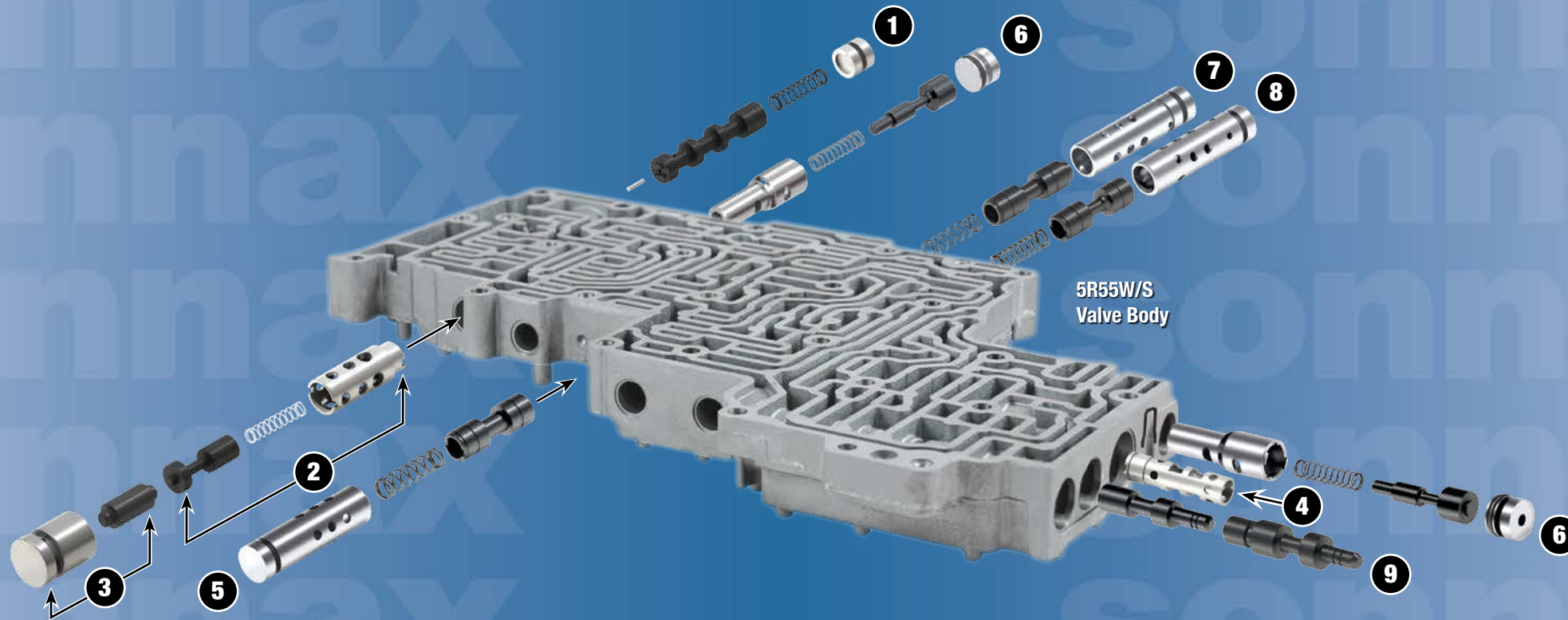
5 56947J-26K
Oversized Forward Engagement Valve Kit



Helps cure:

- Slipping/Loss of forward gears
- Burned forward clutch

Note: Requires tool kit **F-27741-TL13** & the **VB-FIX** reaming fixture.



5R55W/S
Valve Body



5R55N
Valve Body

*These parts also fit 5R55N units.

6 56947J-19K
Oversized VFS Modulator Control Valve Kit



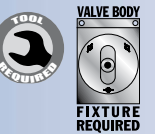
Fits either of 2 locations

Helps cure:

- Line pressure concerns
- Slipping upshifts

Note: Requires tool kit **F-56947J-TL19** & the **VB-FIX** reaming fixture.

7 56947J-23K
Oversized Reverse Modulator Valve Kit

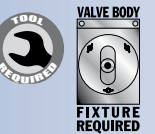


Helps cure:

- Delayed reverse
- Loss of 4th or 5th

Note: Requires tool kit **F-27741-TL13** & the **VB-FIX** reaming fixture.

8 56947J-29K
Reverse Engagement Valve Kit



Helps cure:

- Slipping/Loss of reverse
- Burned direct clutch

Note: Requires tool kit **F-27741-TL13** & the **VB-FIX** reaming fixture.

9 56947J-61K
Oversized Solenoid & Converter Feed Limit Valve Kit



Helps cure:

- Gear ratio codes 731 to 741
- No TCC apply

Note: Requires tool kit **F-56947J-TL61** & the **VB-FIX** reaming fixture.